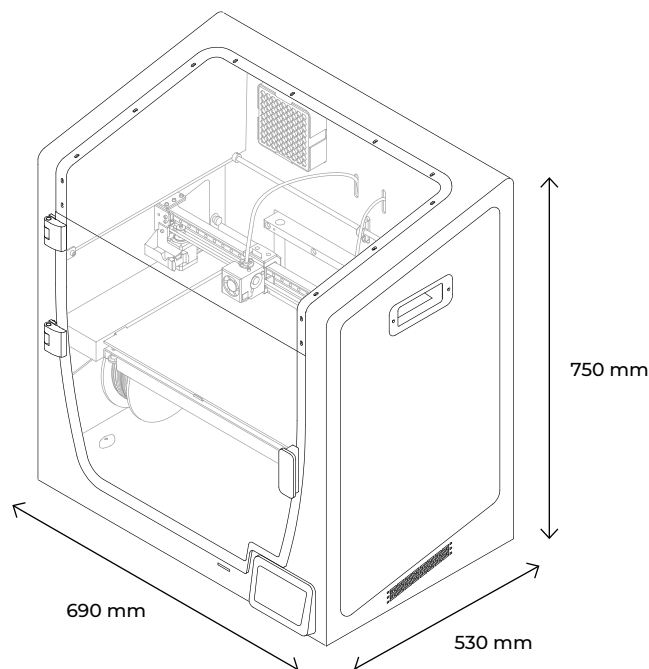
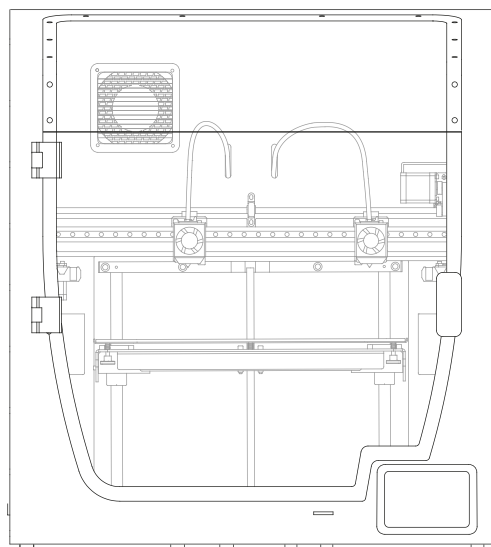


Specifications



BCN3D Epsilon W27



Printer properties

3D Printing Technology	Fused Filament Fabrication (FFF)
Architecture	Independent Dual EXtruder (IDEX)
Printing volume	420mm x 300mm x 220mm
Build chamber	Passive Heated Chamber Fully enclosed Safety Pause
Air filtering	Category H13 HEPA filter Active Carbon filter
Number of extruders	2
Warranty	2 years for EU countries 1 year for non-EU countries
Extruder system	Extruder Bondtech™ high-tech dual drive gears Hotends optimized and manufactured by e3D™
Printing modes	Single mode Duplication mode Mirror mode Multimaterial mode Soluble Supports mode
Electronics	Single Board Computer: Toradex ARM Compute Module Motion Board: BCN3D Electronics with Independent Stepper Drivers

Specifications



BCN3D Epsilon W27

Printer properties

Firmware	BCN3D Embedded Linux distribution BCN3D Epsilon - Marlin
Heated bed	Silicone thermal pad
Screen	5" full color capacitive touchscreen
Supported languages	Spanish English German French Italian Japanese Portuguese Chinese
Supported files	*.gcode
Operating sound	49dB
Nozzle diameter	Brass nozzle: 0,4mm (default) 0,6mm 0,8mm 1,0mm Hotend X: 0,6mm
Certifications	CE / FCC
Connectivity	Offline printing: SD card Online printing: WiFi or Ethernet (through BCN3D Cloud)

Materials

Filament diameter	2,85 ± 0,05 mm
Compatible materials	Standard materials: PLA, PET-G, TPU 98A, PVA Technical materials: ABS, PP, PA Composite materials (only with Hotend X): PP GF30, PAHT CF15
Open filament system	Yes

Physical properties

Overall dimensions	690mm (W) x 530mm (D) x 750mm (H)
Weight	33Kg
Shipping box dimensions	800mm (W) x 600mm (D) x 1090mm (H)
Shipping weight	46Kg
Shipping method	Half Europallet

Specifications



BCN3D Epsilon W27

Printing properties

Recommended profiles	Layer height: 0,2mm 0,3mm 0,4mm (depending on nozzle diameter)
Layer height	0,05mm - 0,5mm (custom profiles)
Positioning resolution (X / Y / Z)	1,25µm / 1,25µm / 1µm
Operating temperature	15 °C - 30 °C
Extruder maximum temperature	300 °C
Heated bed maximum temperature	120 °C
Build chamber maximum temperature	60 °C (depending on operating temperature)

Electric Properties

Input	AC 84-240V, AC 3,6-1,3A, 50-60Hz
Maximum power consumption	840W

Software

File preparation software	BCN3D Cura
Operating Systems	Windows, Mac, Linux
Supported files	STL, 3MF, OBJ, AMF
Wireless connectivity	BCN3D Cloud
Supported browsers	Google Chrome, Mozilla Firefox, Microsoft Edge, Safari, Opera